

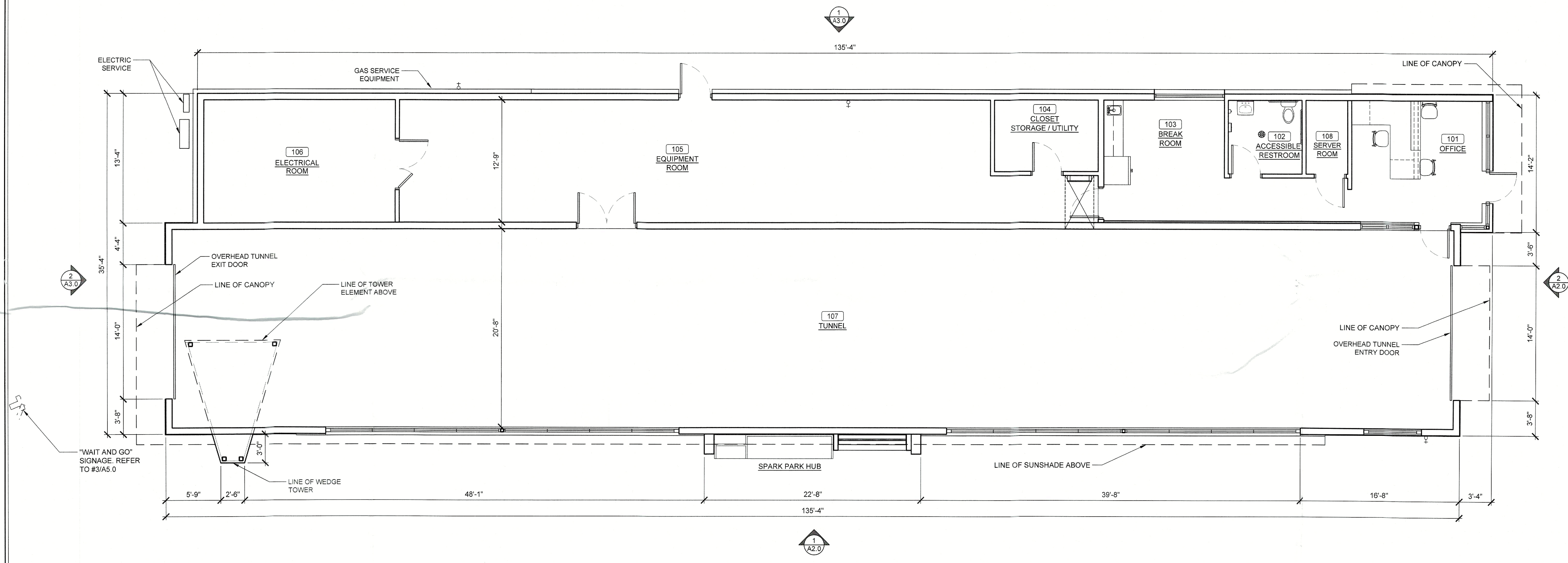


NJ: AI 13332	CT: ARI.0009367
NY: 025818	PA: RA-015112-B
FL: AR95782	DE: S5-0007785
WI: 11180-5	D.C.: ARC101838
MD: 14129	MI: 1301064135
SC: 8935	IN: AR12200158
GA: RA 013883	MA: 10610
VA: 401016373	WV: 4569
NC: 11736	IL: 001.023586
NH: 04487	TX: 30377
AL: 9035	IA: ARC08262
N.J.C.I.D.: 21D00025000	TN: 107813

Date	07/02/2024
Drawing Issues / Revisions	FLOOR PLAN UPDATES
No.	1

Proposed
SPARK CAR WASH
Block 96, Lots 4&5
1229 NY-300
Town of Newburgh,
Orange County, NY 12550

Drawing Title: PROPOSED FLOOR PLAN	
Date: 12/07/2023	Dwg No. A 1.0
Drawn By: F.A./G.D.	Checked By: G.Y.
Job No: 23-413	1 of 4

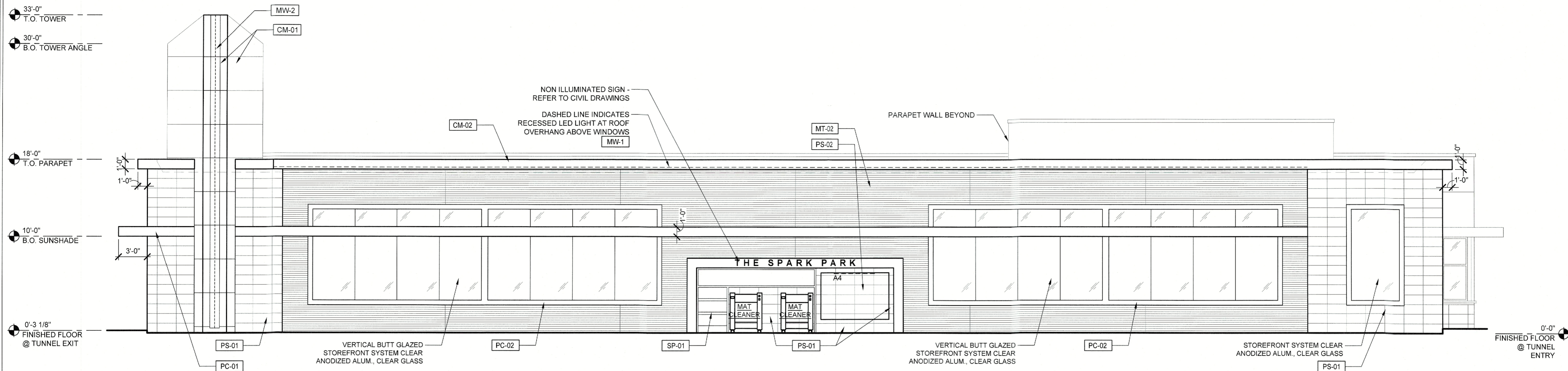


1 PROPOSED FLOOR PLAN
SCALE: 3/16" = 1'-0"

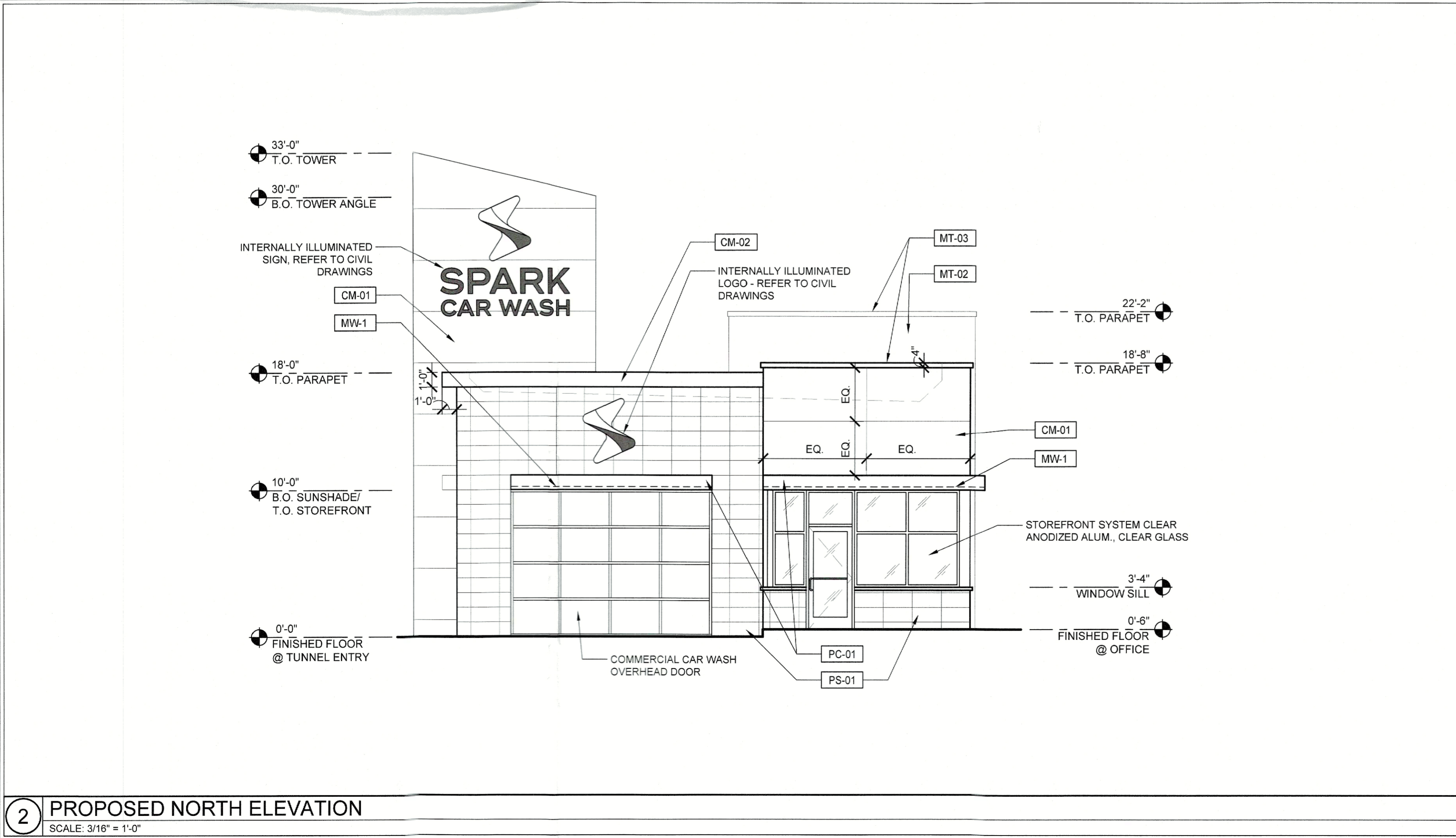


Gary Kliesch
A.I.A., N.C.A.R.B., N.C.I.D.

NJ: AJ 13332	CT: ARI 0009367
NY: 025618	PA: RA-015112-5
FL: AR95782	DE: S5-0007785
WI: 11180-5	D.C.: ARC101838
MD: 14129	MI: 1301064135
SC: 8935	IN: AR12200158
GA: RA 013883	MA: 10610
VA: 401016373	WV: 4569
NC: 11736	IL: 001.023586
NH: 04487	TX: 30377
AL: 9035	IA: ARC08262
N.C.I.D.: 21D00025000	TN: 107813



1 PROPOSED EAST ELEVATION (UNION AVE STATE RT 300)
SCALE: 3/16" = 1'-0"



2 PROPOSED NORTH ELEVATION
SCALE: 3/16" = 1'-0"

EXTERIOR FINISH MATERIAL SCHEDULE

CODE	MATERIAL DESCRIPTION	MANUFACTURER	PRODUCT #	DESCRIPTION
CM-01	COMPOSITE METAL PANEL	ALUCOBOND		COLOR TO MATCH SPARK BLUE (R7, G83, B112 - PMS 3035) WITH 3/4" REVEALS INSTALL PER MANUF. REQUIREMENTS
CM-01 (ALT)	EIFS	DRYVIT		ALTERNATE TO CM-01; SMOOTH FACE EIFS W/ 3/4" REVEALS COLOR: TO MATCH SPARK BLUE (R7, G83, B112 - PMS 3035)
CM-02	COMPOSITE METAL PANEL	ALUCOBOND		PROJECTED ROOF FASCIA TO PREVENT OIL CANNING COLOR: TO MATCH PC-02
CM-03	COMPOSITE METAL PANEL	ALUCOBOND		COLOR: CADILLAC WHITE III (WITH 3/4" REVEALS) INSTALL PER MANUF. REQUIREMENTS
CM-03 (ALT)	EIFS	DRYVIT		ALTERNATE TO CM-01; SMOOTH FACE EIFS W/ 3/4" REVEALS COLOR: SW 7006 "EXTRA WHITE"
PC-01	SUN SHADE	MAPES		SUPER SHADE WINDOW SUNSHADES COLOR: TO MATCH SPARK ORANGE (R249, G157, B62 - PMS 715)
PC-02	METAL WINDOW FRAME	KAWNEER		4 5/8" WIDE METAL WINDOW FRAME SURROUNDING STOREFRONT SYSTEM COLOR: CHARCOAL
MT-01	COMPOSITE METAL PANEL	BAMCO INC.		COLOR: TO MATCH SPARK ORANGE (R249, G157, B62 - PMS 715)
MT-02	CORRUGATED METAL PANEL	PAC-CLAD	7/8" CORRUGATED	FINISH: GALVALUME
MT-03	METAL COPING	PAC-CLAD		COLOR: TO MATCH PC-02
MT-04	METAL BAND	DIRECT EMBED CUSTOM COATING SYSTEM	CUSTOM	COLOR: TO MATCH SPARK ORANGE (R249, G157, B62 - PMS 715)
PS-01	PORCELAIN TILE	DECO VITA	DECO VITE INDOOR 1 CM POLISHED - ABSOLUTE WHITE	SIZE: 12X24; FINISH: POLISHED - GROUT: MAPEI #103 COBBLESTONE - SCHLUTER STRIP - JOLLY P PVC PROFILE FOR WALLS. COLOR: WHITE
PS-02	LARGE FORMAT TILE	VIRGINIA TILE	PRIMA	COLOR: SMOKE; SIZE: 12X24; FINISH: FIELD TILE MATTE RECTIFIED
SP-01	EXTERIOR LAMINATE			COLOR: TO MATCH SPARK ORANGE (R249, G157, B62 - PMS 715)

EXTERIOR LIGHTING SCHEDULE

W-1	EXTERIOR WALL MOUNTED LIGHT	LIGHTOLOGY	ECLIPSE WALL SCONCE	COLOR: WHITE - SIZE: 9" DIA. MODEL: AFX852366 (16W)
W-1 ALT	EXTERIOR WALL MOUNTED LIGHT	LIGHTOLOGY	MEZZA CUPOLA EYELID WALL SCONCE	COLOR: WHITE - SIZE: 8" DIA. MODEL: SON929175 (48W) - USED ONLY WHEN JURISDICTIONS REQUIRE FOR LIGHTS TO POINT DOWNWARD
MW-1	LED LIGHT STRIP	SURFACE	RAB	FCLED-FT-3500K
MW-2	COLOR CHANGING LED STRIP LIGHTING W/ ACRYLIC FACE	SURFACE	LUMENPULSE	LOGN 8W 48 V XX RGBW40K WW HFR XXX XX UCTL CRC UL BAA
A-4	COLOR CHANGING LED LIGHT STRIP	SURFACE	LUMENPULSE	LOGN 8W 48 V XX RGBW40K WW HFR XXX XX UCTL CRC UL BAA

Date	07/02/2024
Drawing Issues / Revisions	FLOOR PLAN UPDATES
No.	1

Proposed
SPARK CAR WASH
Block 96, Lots 4&5
1229 NY-300
Town of Newburgh,
Orange County, NY 12550

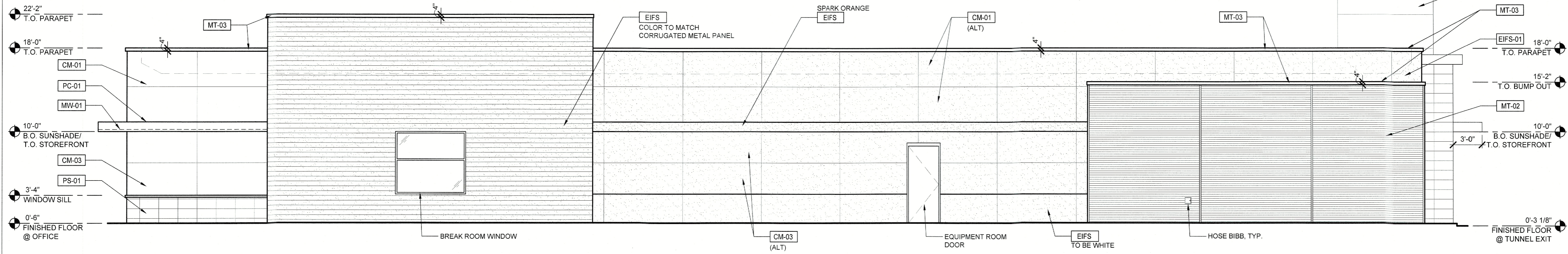
Drawing Title:
EXTERIOR ELEVATIONS
FINISH SCHEDULE

Date:	12/07/2023	Dwg No.	A 2.0
Drawn By:	F.A./G.D.	Checked By:	O.Y.
Job No:	23-413		2 of 4

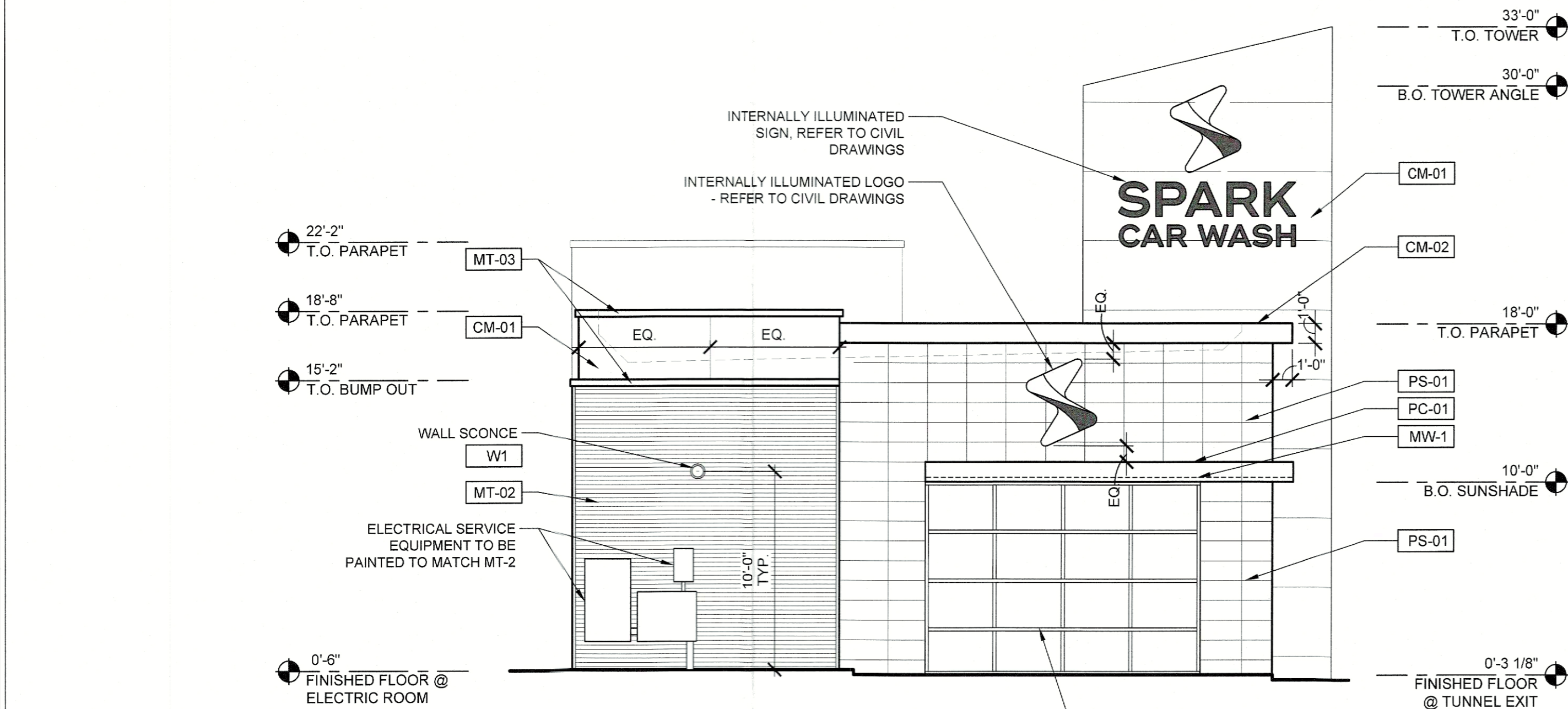


Gary Kiesch
A.I.A., N.C.A.R.B., N.C.I.D.

NJ: AI 13332	CT: ARI 0009387
NY: 025618	PA: RA-015112-B
FL: AR95782	DE: SS-0007765
WI: 11180-5	D.C.: ARC101838
MD: 14129	MI: 1301064135
SC: 8935	IN: AR12200158
GA: RA 013883	MA: 10610
VA: 401016373	WV: 4569
NC: 11736	IL: 001.023586
NH: 04487	TX: 30377
AL: 9035	IA: ARC08262
N.C.I.D.: 21ID00023000	TN: 107813



1 PROPOSED WEST ELEVATION
SCALE: 3/16" = 1'-0"



2 PROPOSED SOUTH ELEVATION
SCALE: 3/16" = 1'-0"

EXTERIOR FINISH MATERIAL SCHEDULE

CODE	MATERIAL DESCRIPTION	MANUFACTURER	PRODUCT #	DESCRIPTION
CM-01	COMPOSITE METAL PANEL	ALUCOBOND		COLOR TO MATCH SPARK BLUE (R7, G83, B112 - PMS 3035) WITH 3/4" REVEALS INSTALL PER MANUF. REQUIREMENTS
CM-01 (ALT)	EIFS	DRYVIT		ALTERNATE TO CM-01; SMOOTH FACE EIFS W/ 3/4" REVEALS COLOR: TO MATCH SPARK BLUE (R7, G83, B112 - PMS 3035)
CM-02	COMPOSITE METAL PANEL	ALUCOBOND		PROJECTED ROOF FASCIA TO PREVENT OIL CANNING COLOR: TO MATCH PC-02
CM-03	COMPOSITE METAL PANEL	ALUCOBOND		COLOR: CADILLAC WHITE III (WITH 3/4" REVEALS) INSTALL PER MANUF. REQUIREMENTS
CM-03 (ALT)	EIFS	DRYVIT		ALTERNATE TO CM-01; SMOOTH FACE EIFS W/ 3/4" REVEALS COLOR: SW 7006 "EXTRA WHITE"
PC-01	SUN SHADE	MAPES		SUPER SHADE WINDOW SUNSHADES COLOR: TO MATCH SPARK ORANGE (R249, G157, B62 - PMS 715)
PC-02	METAL WINDOW FRAME	KAWNEER		4.5" WIDE METAL WINDOW FRAME SURROUNDING STOREFRONT SYSTEM COLOR: CHARCOAL
MT-01	COMPOSITE METAL PANEL	BAMCO INC.		COLOR: TO MATCH SPARK ORANGE (R249, G157, B62 - PMS 715)
MT-02	CORRUGATED METAL PANEL	PAC-CLAD	7/8" CORRUGATED	FINISH: GALVALUME
MT-03	METAL COPING	PAC-CLAD		COLOR: TO MATCH PC-02
MT-04	METAL BAND	DIRECT EMBED CUSTOM COATING SYSTEM	CUSTOM	COLOR: TO MATCH SPARK ORANGE (R249, G157, B62 - PMS 715)
PS-01	PORCELAIN TILE	DECO VITA	DECO VITE INDOOR 1 CM POLISHED - ABSOLUTE WHITE	SIZE: 12X24; FINISH: POLISHED - GROUT: MAPEI #103 COBBLESTONE - SCHLUTER STRIP - JOLLY P PVC PROFILE FOR WALLS; COLOR: WHITE
PS-02	LARGE FORMAT TILE	VIRGINIA TILE	PRIMA	COLOR: SMOKE; SIZE: 12X24; FINISH: FIELD TILE MATTE RECTIFIED
SP-01	EXTERIOR LAMINATE			COLOR: TO MATCH SPARK ORANGE (R249, G157, B62 - PMS 715)

EXTERIOR LIGHTING SCHEDULE

W-1	EXTERIOR WALL MOUNTED LIGHT	LIGHTOLOGY	ECLIPSE WALL SCNCE	COLOR: WHITE - SIZE: 9" DIA. MODEL: AFX852386 (16W)
W-1 ALT	EXTERIOR WALL MOUNTED LIGHT	LIGHTOLOGY	MEZZA CUPOLA EYELID WALL SCNCE	COLOR: WHITE - SIZE: 8" DIA. MODEL: SON929175 (48W) - USED ONLY WHEN JURISDICTIONS REQUIRE FOR LIGHTS TO POINT DOWNWARD
MW-1	LED LIGHT STRIP	SURFACE	RAB	FCLED-FT-3500K
MW-2	COLOR CHANGING LED STRIP LIGHTING W/ ACRYLIC FACE	SURFACE	LUMENPULSE	LOGN 8W 48 V XX RGBW40K WW HFR XXX XX UCTL CRC UL BAA
A-4	COLOR CHANGING LED LIGHT STRIP	SURFACE	LUMENPULSE	LOGN 8W 48 V XX RGBW40K WW HFR XXX XX UCTL CRC UL BAA

Date	07/02/2024
Drawing Issues / Revisions	FLOOR PLAN UPDATES
No.	1

Proposed
SPARK CAR WASH
Block 96, Lots 4&5
1229 NY-300
Town of Newburgh,
Orange County, NY 12550

Drawing Title:
**EXTERIOR ELEVATIONS
FINISH SCHEDULE**

Date:	12/07/2023	Dwg No.	A 3.0
Drawn By:	F.A./G.D.		
Checked By:	O.Y.		
Job No:	23-413	3 of 4	



Gary Kliesch
A.I.A., N.CARB, N.C.I.D.

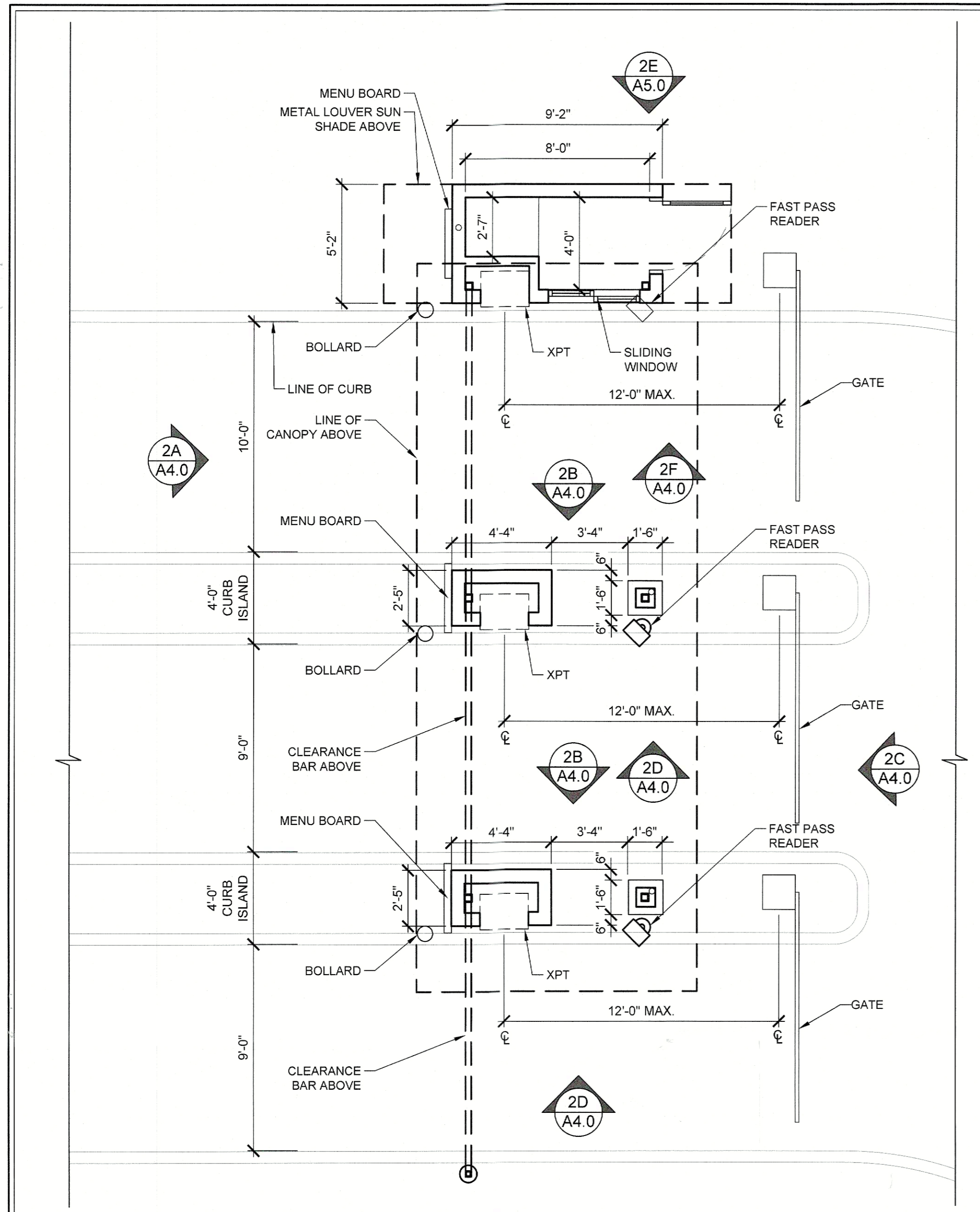
NJ: AI 13332	CT: ARI.0009367
NY: 025818	PA: RA-015112-B
FL: AR95782	DE: S5-0007785
WI: 11180-5	D.C.: ARC101838
MD: 14129	MI: 1301064135
SC: 8935	IN: AR12200158
GA: RA 013883	MA: 10610
VA: 401016373	WV: 4569
NC: 11736	IL: 001.023586
NH: 04487	TX: 30377
AL: 9035	IA: ARC08262
N.C.I.D. 211D00025000	TN: 107813

Date	07/02/2024
Drawing Issues / Revisions	FLOOR PLAN UPDATES
No.	7

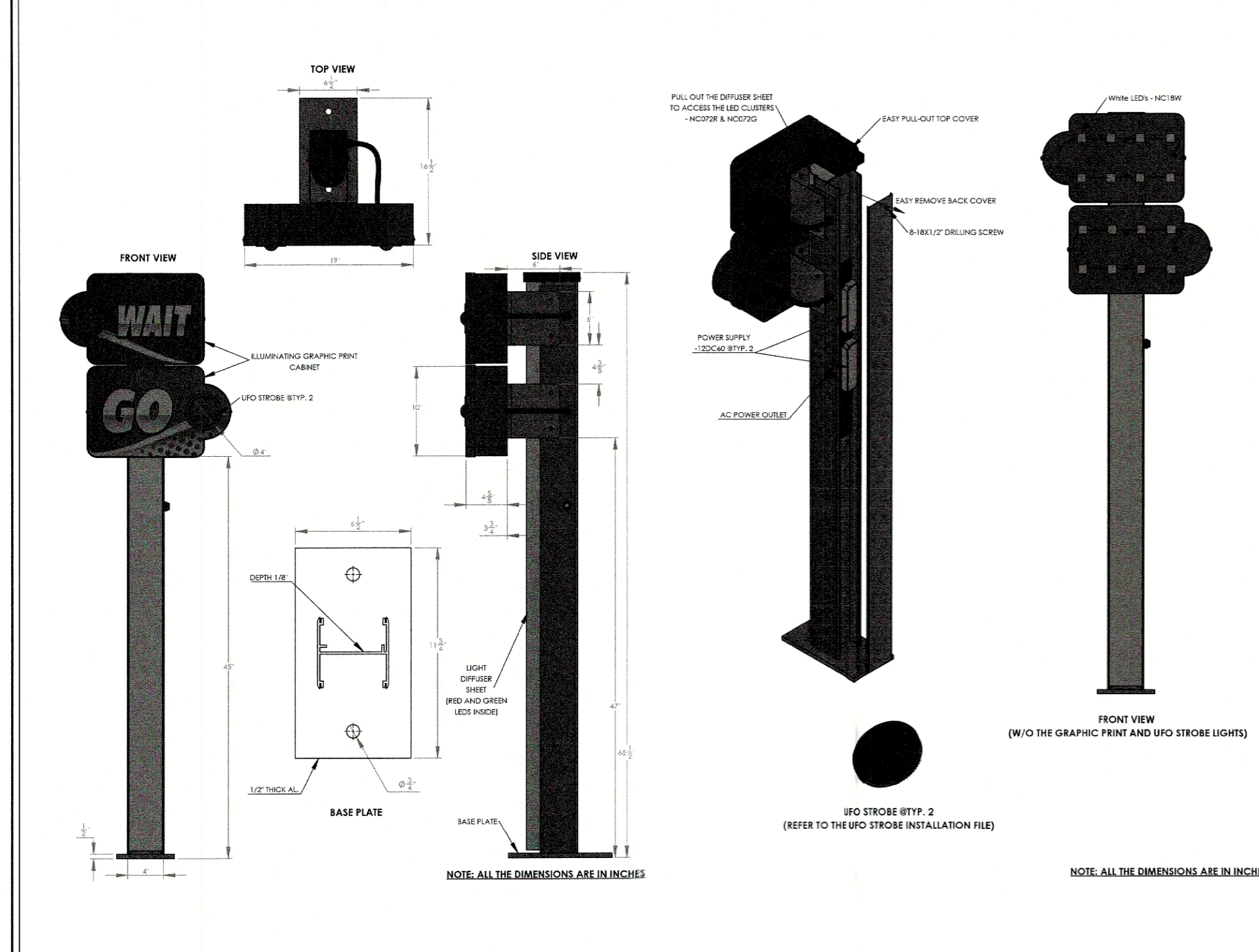
Proposed
SPARK
CAR WASH
Block 96, Lots 4&5
1229 NY-300
Town of Newburgh,
Orange County, NY 12550

Drawing Title:
**PAY STATION CANOPY
AND "WAIT AND GO" SIGN
DETAILS**

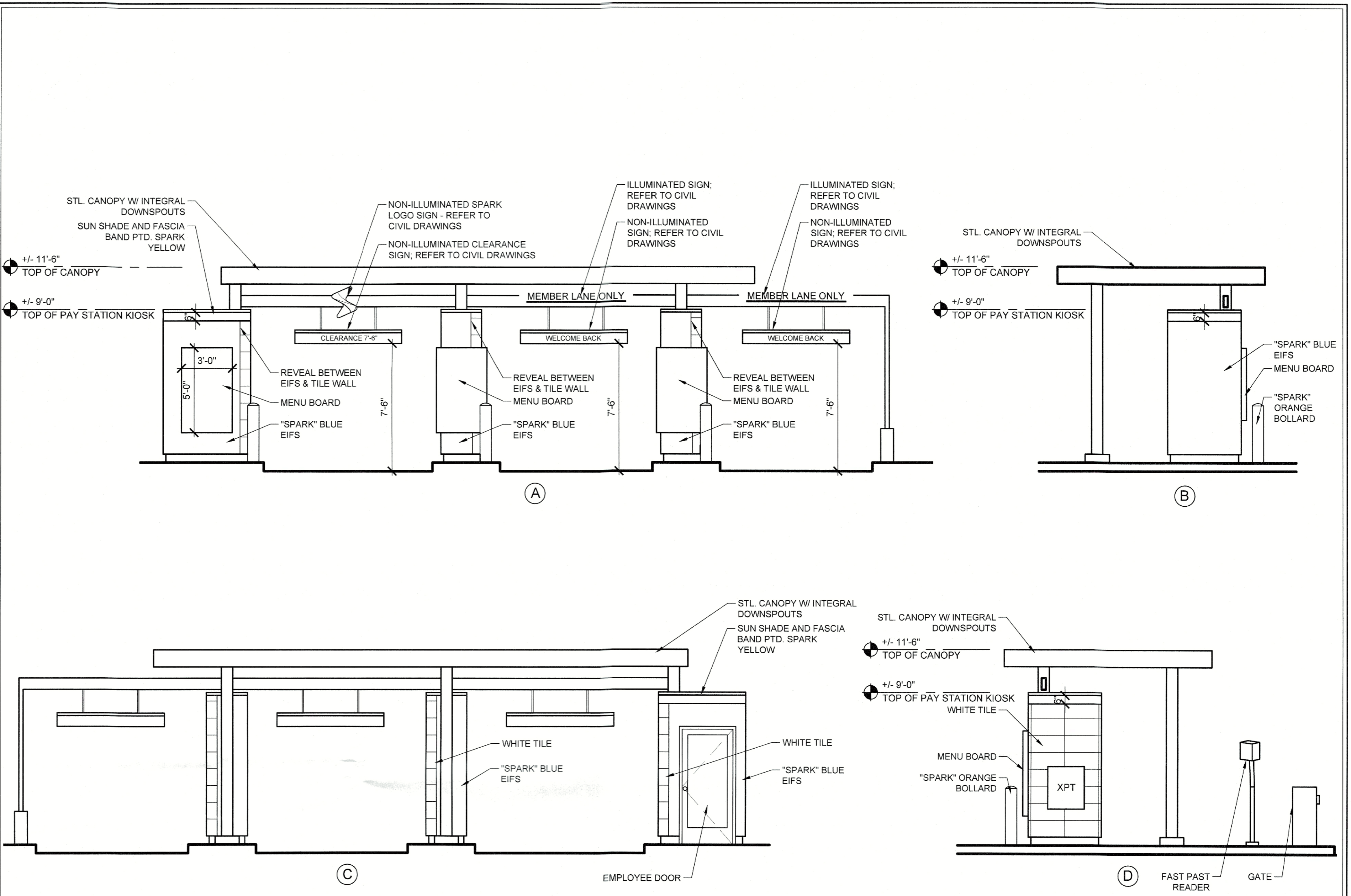
Date:	12/07/2023	Dwg No.	A 4.0
Drawn By:	F.A./G.D.		
Checked By:	O.Y.		
Job No:	23-413	4 of 4	



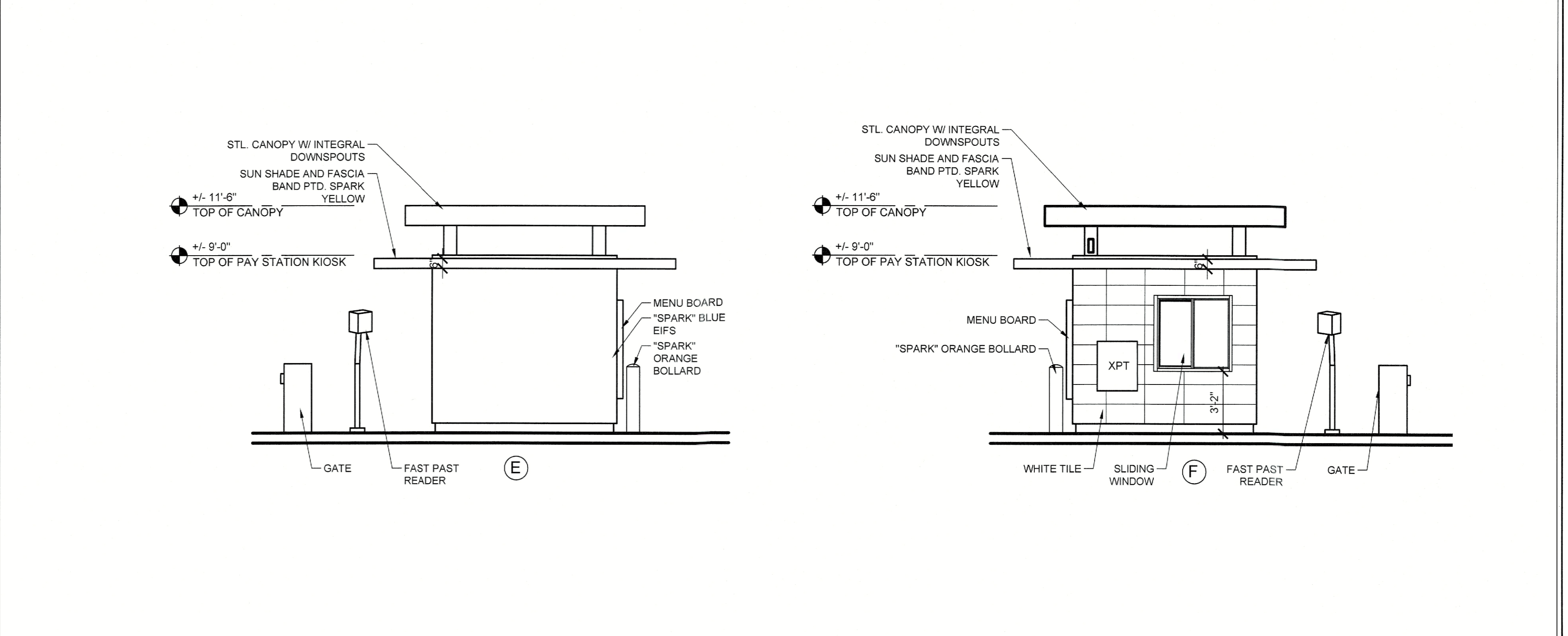
1 PAY STATION SCHEMATIC PLAN
SCALE: 1/4" = 1'-0"



3 "WAIT AND GO" SIGN DETAILS
SCALE: N.T.S.



2 PAY STATION ELEVATIONS
SCALE: 1/4" = 1'-0"



2 PAY STATION ELEVATIONS
SCALE: 1/4" = 1'-0"